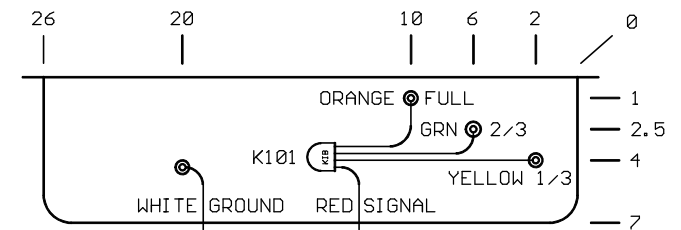
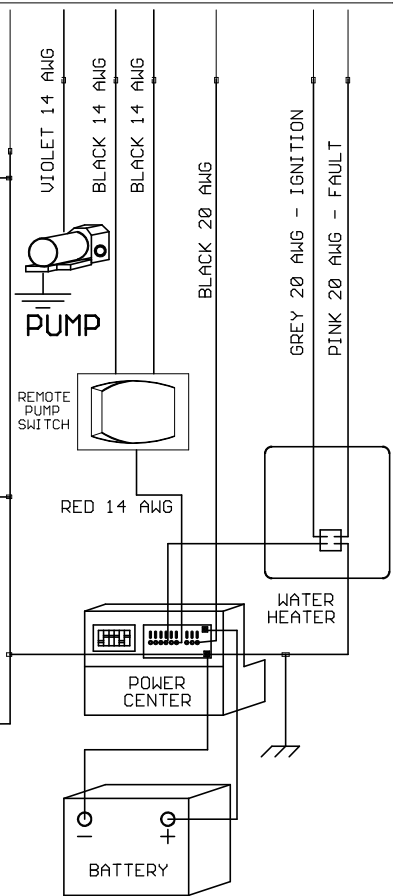
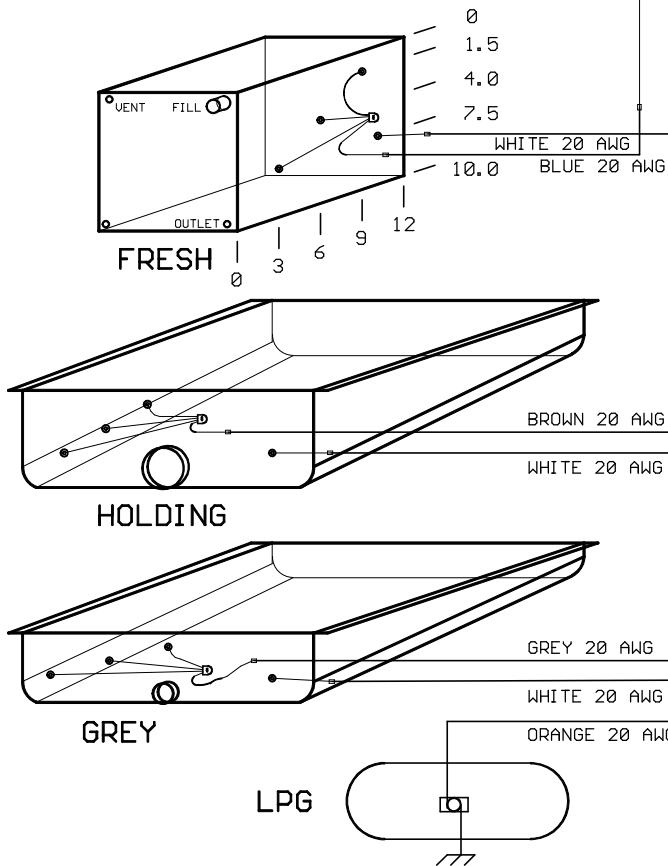
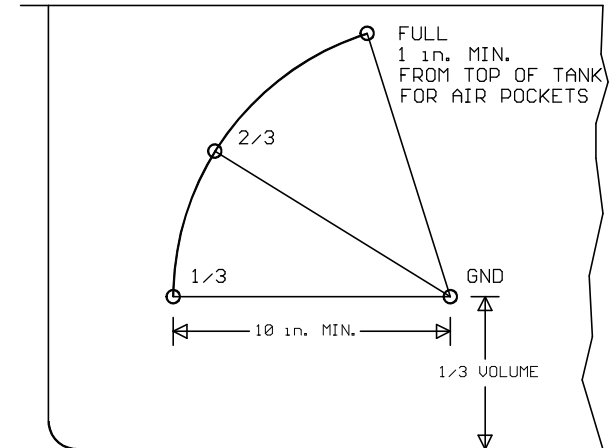
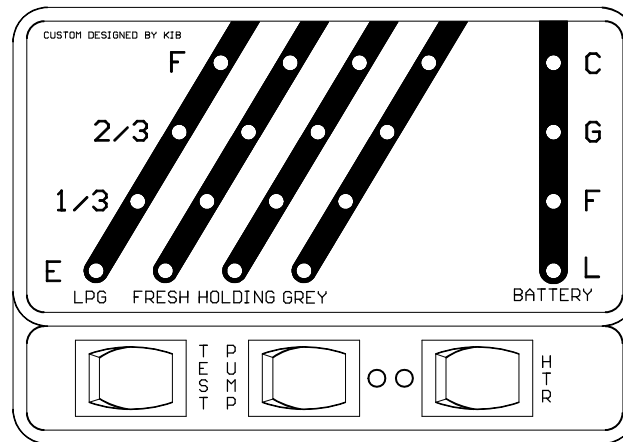


K24-3WL WIRING LEGEND

RED 22 AWG - FILTERED POSITIVE
 BLACK 20 AWG - POSITIVE VDC HEATER
 VIOLET 14 AWG - PUMP
 BLACK 14 AWG - REMOTE PUMP SWITCH
 BLACK 14 AWG - REMOTE PUMP SWITCH
 WHITE - GROUND
 GREY - GREY TANK
 BROWN - HOLDING
 BLUE - FRESH TANK
 ORANGE - LPG
 GREY 20 AWG - HEATER IGNITION
 PINK 20 AWG - HEATER FAULT

REPLACEMENT PARTS

PRINTED CIRCUIT BOARD - # SUBPCBK22
 TEST SWITCH - # SWMOMK1
 HEATER SWITCH - # SWOKLED1
 3-WAY PUMP SWITCH - # SW1803.1121
 RESISTOR PIGTAIL - # K101



PLACE 1/3 AND GROUND INSERT AT 1/3 VOLUME.

PLACE GROUND INSERT NO LESS THAN 10 in. FROM OTHER INSERTS IN HOLDING AND GREY TANKS. USE ALL AVAILABLE SPACE.

ALL HOLDING & LPG TANK GROUNDS MUST BE ATTACHED TO MONITOR GROUND.

MP5 PROBE INSTALLATION

MARK TANK PER PLACEMENT GUIDE.

DRILL HOLES USING 3/8 in. BIT. DRILL AT LOW SPEED.

INSERT MP1 INTO HOLE

REMOVE TOP 3/8 in NUT

TIGHTEN BOTTOM NUT UNTIL SNUG, DO NOT OVER TIGHTEN

* USE NUT DRIVER, DO NOT USE SCREW GUN

ATTACH WIRE WITH NUT REMOVED EARLIER

SEAL EXPOSED CONNECTIONS WITH RED BATTERY SPRAY OR

SILICON SEALER